

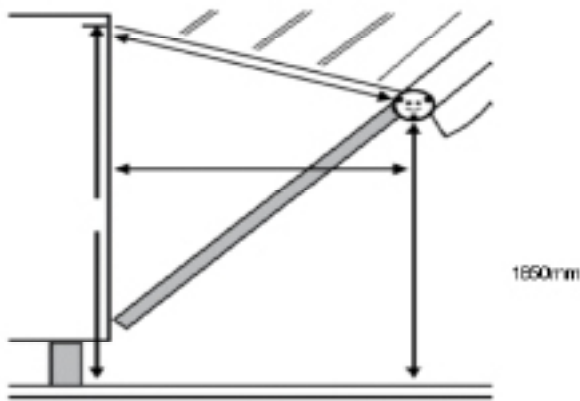
Installation of Longwall to Awning Roller

Installing the Sunbuster is a 2 person job. Should an attempt be made to install the shade single-handedly one risks damage to the shade which is not covered by any warranty.

To facilitate accurate installation, the caravan should be parked on reasonably flat ground.

Open the swing so that the Roller will sit approximately 1850mm above the ground.

Note that the fabric of the awning needs to be stretched taught and the arms of the awning should at this time remain connected to the caravan. See Diagram directly below.



There is a flexible rope sewn into the header vinyl of the longwall. The longwall is to be hung from the awning roller tube by inserting the vinyl header into the empty groove running along the length of the roller tube. The empty groove should be facing towards the ground. See Figure 1

The awning end cap has a prepunched access hole over the empty groove in the end cap. Before threading the vinyl header check to see that the edges of the awning roller tube hill are smooth to avoid damaging the fabric. See Figure 2 & 3

Use of a rat tail file is recommended to avoid accidental damage occurring to the shade.

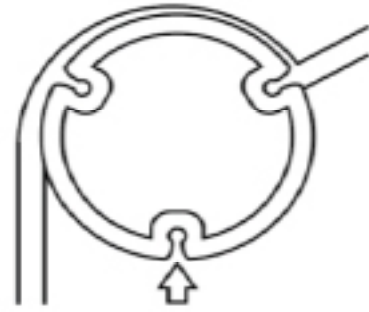


Figure 1

Figure showing the hole in the awning roller tube that the vinyl header goes through. To make it easier for insertion, the empty groove must be facing the ground, as shown above.



Figure 2

Before threading the front wall through the groove in the roller, make sure that the groove is smooth to avoid damaging the fabric.



Figure 3

After checking the groove faces downwards, and the groove is smooth and free from obstruction, slide the vinyl header through the groove carefully.

